

S9000-530C

FIRŠT ZONE UNITS

3-way brass valves with electric actuator S9000 and Clip system.



2-POINT CONTROL 1 / 0 STOP AT END POSITIONS

ANTI BLOCKING FUNCTION



Valves are available in DN 20 size, with external threads, or compression fittings and are rated PN10.

- FIRŠT valves FDV 532C and FDV 533C are designed for use in heating or cooling systems or for use in different heating or cooling devices (e.g. heat pumps, HVAC systems).
- Two types of connections are available: external threads (FBV 532C) and compression fittings (FBV 533C).

OPERATION

The FIRŠT valves FDV 530C are 3-way diverting/changeover brass valves for use in heating (solar, remote, house-heating etc.) and cooling installations, especially in heat pumps.

Valves are equipped with series 9000 2P ND actuators which allow high regulating accuracy and easy installation with one-click CLIP System. Actuators are controlled with 2-point signal (SPST) built-in relay module. Zone units can be manually operated with handle and button on the cover.

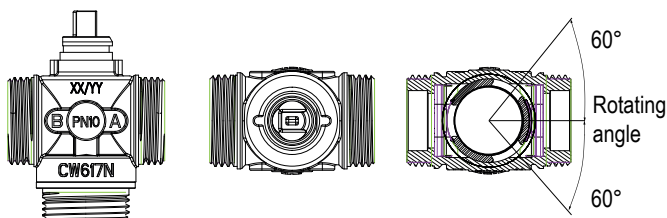
Anti blocking function provides that in case of blockade, the motor changes its direction. Because of that feature the motor is able to save itself from stopping.

MAINTENANCE

Valve and actuator require no maintenance. The installation of suitable strainer is recommended.

INSTALLATION POSITION

Actuator can be installed in only one position.



CLIP SYSTEM

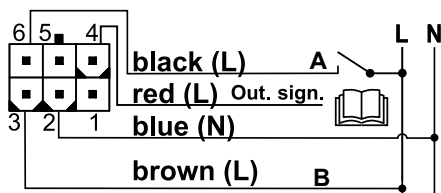
Compact design of the valve allows easy assembling and disassembling. Clip system allows easy installation of the actuator on the valve body with single click without any tools.



In accordance with PED, LVD, RoHS2, EMC

ELECTRICAL CONNECTION

Molex electrical connection. Actuator has output signal in end (A/B) positions.



TECHNICAL DATA: VALVES

Nominal pressure:	PN 10
Medium:	water, glycol < 50%, non aggressive liquids water quality as per VDI 2035
Media temperature:	min. +5°C max. +80°C (briefly +90°C)
Leakage ($\Delta p=1\text{bar}$):	max. 0,1% Kvs
Max. diff. pressure:	1 bar
Connections:	G external thread (ISO 228-1) compression fittings (EN 1254-2)

Material

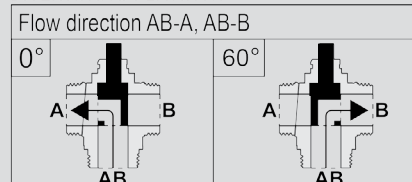
Valve body:	Brass, CW617N
Obturator:	PPS
Bushing:	PTFE
O-rings:	NBR
Sealing ring:	PA 66+Q

TECHNICAL DATA: ACTUATOR

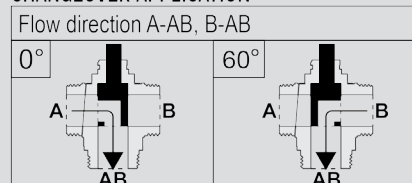
Control:	2-point SPST
Supply voltage:	230 VAC 50Hz
Rotation time:	8s/60°
Power consumption:	9 VA (operation), 5 VA (stand by relay on), 0VA (stand by relay off)
Max. Torque:	5 Nm
Protection class:	II
Enclosure rating:	IP40
Connection:	Molex or Molex compatible connector
Direction of rotation:	ND, not defined CW/CCW, (60°/360°)
Manual control:	with handle and button on the cover
Position indicator:	handle on the cover
Ambient temperature:	0°C..+55°C
Storage temperature:	-10°C..+70°C
Humidity:	0%..80% R.h. (non condensed)

WORKING WAY

DIVERTING APPLICATION



CHANGEOVER APPLICATION



S9000 530C / FIRŠT d.o.o. / Copyright 2015



FIRŠT d.o.o.
Koroška cesta 56
SI-3320 Velenje
SLOVENIA

phone: +386 3 898 35 00
fax: +386 3 898 35 35
email: info@first.si
web: www.first.si

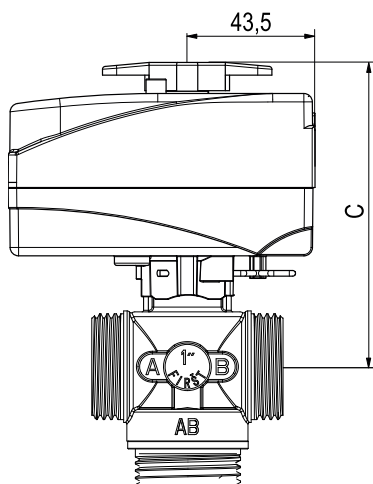
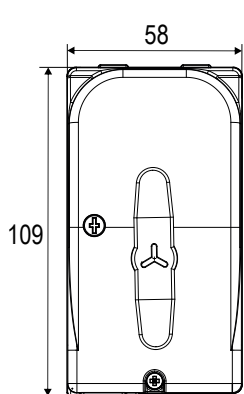
www.first.si
Let Firšt be your first choice.



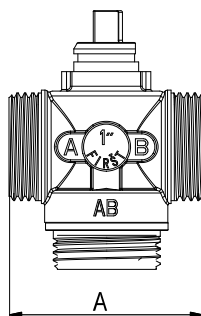
S9000-530C

FIRST ZONE UNITS

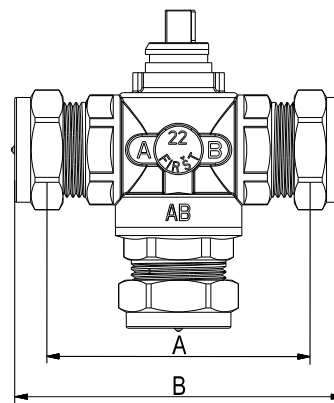
3-way brass valves with electric actuator S9000 and Clip system.



FBV 532C
external threads



FBV 533C
compression fittings



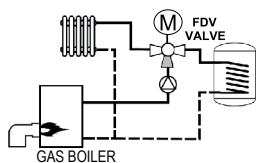
FDV 532C, external threads

Code	Type	DN	Kvs	Voltage	Rotation time	Control	Connection	A	B	C	Weight [kg]	Price (€)
14323	S9Gi0-M 532C	20	8	230 V~ 50 Hz	8s/60°	2P	G 1"	60	/	102	0,63	
14324	S9Gi0-M 532C	20	8	230 V~ 50 Hz	8s/60°	2P	G 5/4"	74	/	102	0,78	

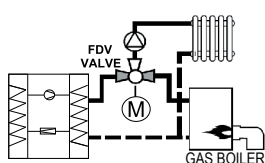
FDV 533C, compression fittings

Code	Type	DN	Kvs	Voltage	Rotation time	Control	Connection	A	B	C	Weight [kg]	Price (€)
14325	S9Gi0-M 533C	20	8	230 V~ 50 Hz	8s/60°	2P	CPF 22mm	80	98	102	0,78	
14326	S9Gi0-M 533C	20	8	230 V~ 50 Hz	8s/60°	2P	CPF 28mm	80	100	102	0,89	

APPLICATION EXAMPLE



Diverting application



Changeover application

FEATURES AND OPTIONS

- **Auxiliary switch:** one potential free auxiliary switch in the end position of the actuator is available as an option.
- **Electrical connection:** cable or optional Molex connector (IP44) and optional specially sealed Molex cable (IP44).
- **Supply voltage:** 230 VAC, 50 Hz, 24 VAC, 50 Hz.
- **Manual control handle:** with or without manual control handle.
- **Solar/cooling adapter:** SCA Heat barrier for protection of the actuator in solar or cooling systems.

DIFFERENT OPTIONS

- Solar/ cooling adapter.



- Special molex IP44 connector.



- Without manual control handle.



- With cable connection.



S9000-530C / FIRST d.o.o. / Copyright 2015